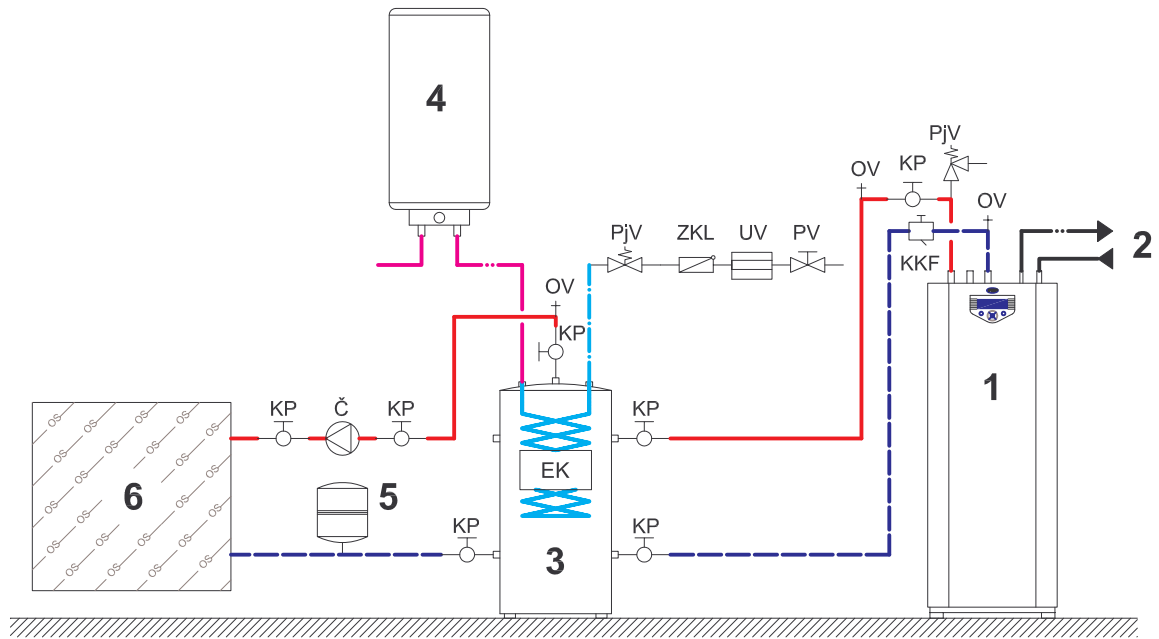


DHW HEATING USING HEAT PUMPS HP AW - SB, SC / HP BW - G / HP WW - G



LEGEND :

1. HEAT PUMP - INTERNAL PART
2. PRIMARY CIRCUIT PIPES
3. BUFFER TANK WITH HEAT EXCHANGER AND ELECTRIC COIL
4. CYLINDER
5. EXPANSION VESSEL
6. HEATING SYSTEM

LEGEND OF PIPES :

- FLOW WATER
- RETURN WATER
- PIPES OF PRIMARY CIRCUIT
- COLD WATER
- HOT WATER

LEGEND OF FITTINGS :

- Č - CIRCULATION PUMP
- KKF - VALVE WITH FILTER
- KP - VALVE
- UV - WATER CONDITIONING
- OV - AIR-VENT VALVE
- PjV - PRESSURE SAFETY VALVE
- PV - VALVE
- ZKL - NON RETURN VALVE